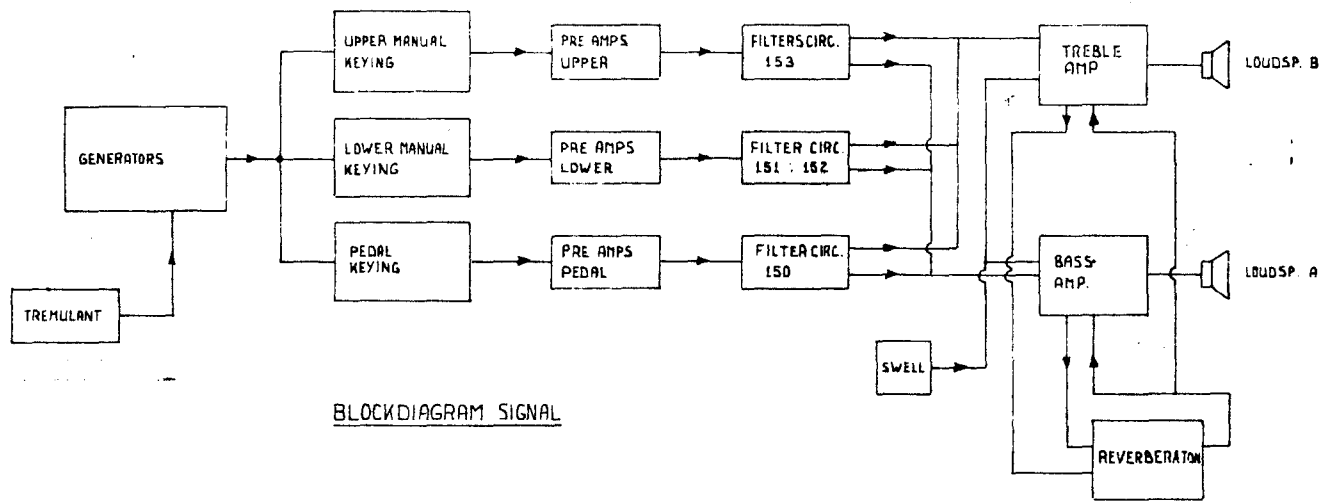
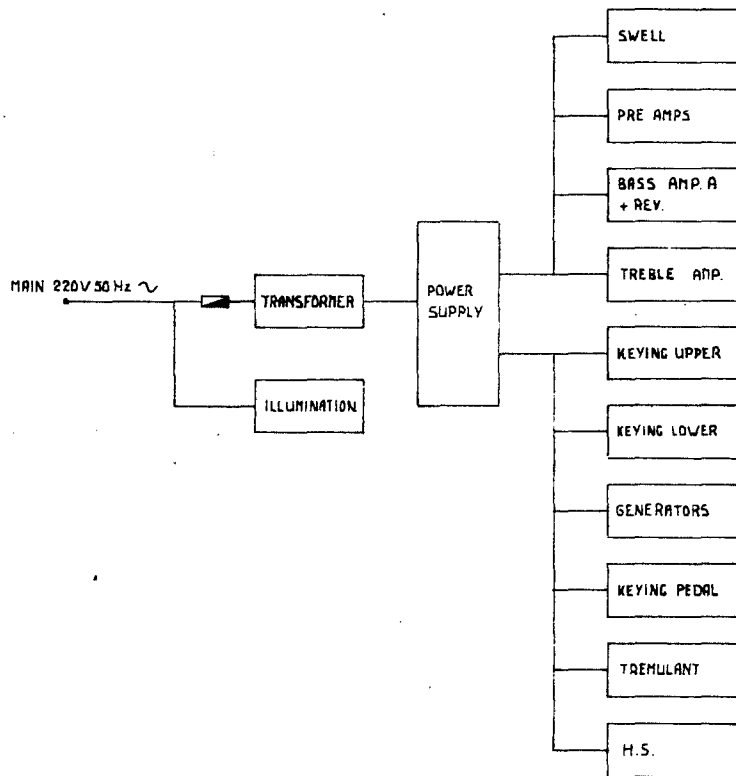


=====
= S C H E M A T I C D I A G R A M S =
= J O H A N N U S =
= O P U S 1 0 / S =
= alterations reserved =



BLOCKDIAGRAM SIGNAL

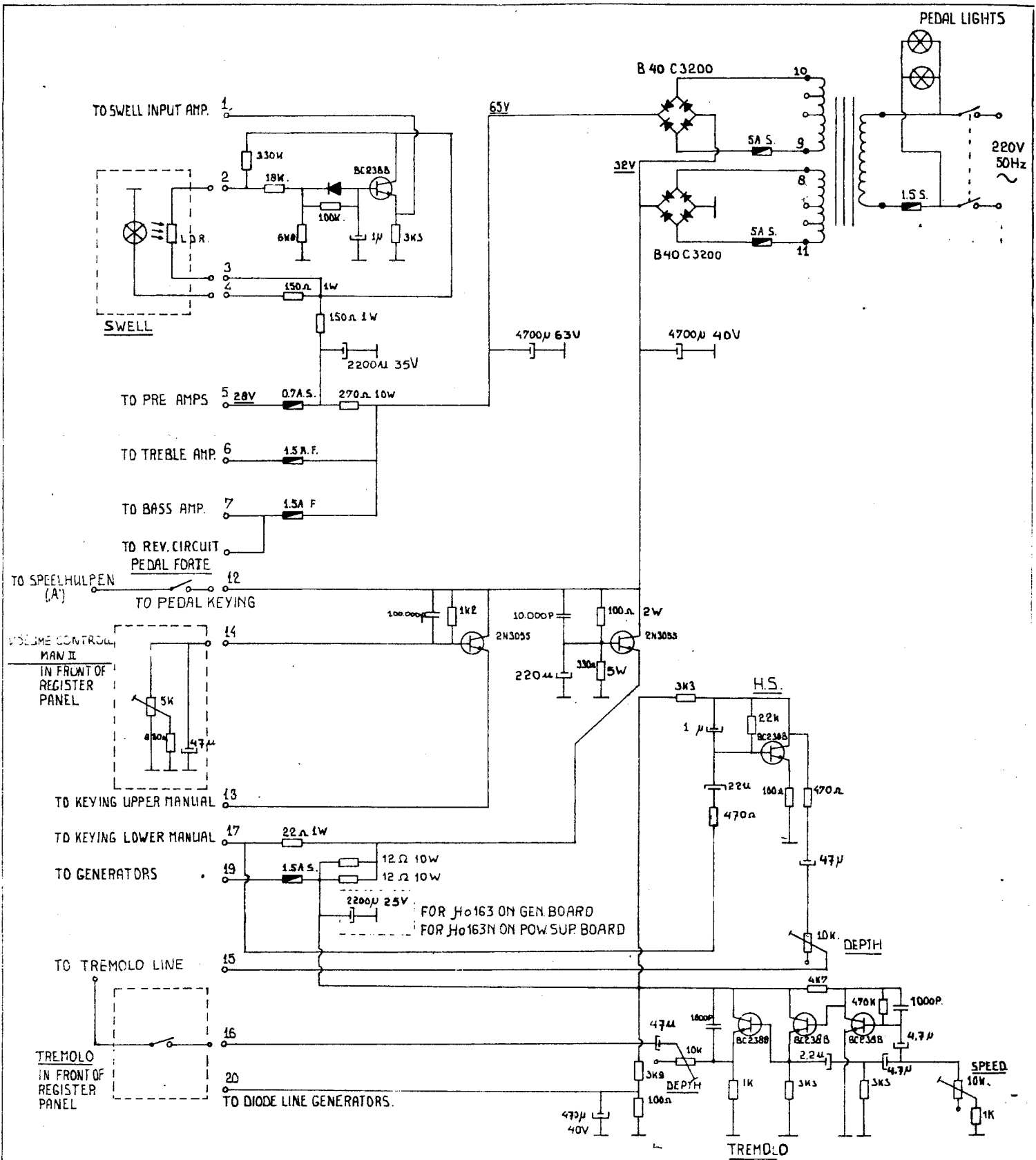


BLOCKDIAGRAM POWER

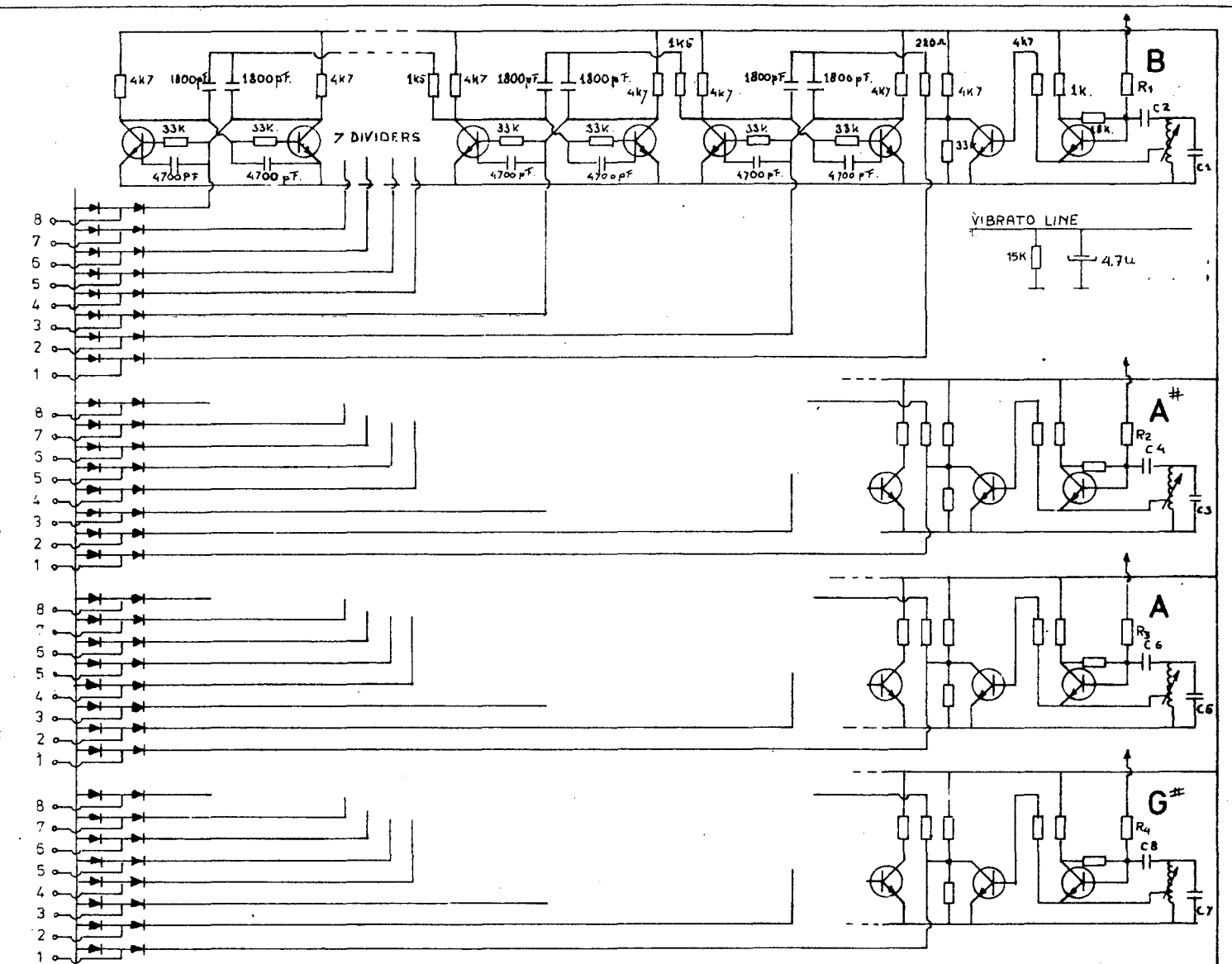
INDEX.

- PAGE N^o 1 SIGNAL AND POWER BLOCKDIAGRAM
 2 POWER CIRCUIT
 3 GENERATORS AND DIVIDERS
 4 KEYING UPPER, LOWER AND PEDAL
 5 KEYBOARD SWITCHES AND COUPLERS
 6 PRE AMPS UPPER AND PEDAL
 7 PRE AMPS LOWER MANUAL
 8 FILTER CIRCUITS PEDAL AND UPPER
 9 FILTER CIRCUITS LOWER MANUAL
 10 REVERBERATION AND PLAYING AIDS
 11 STOP CIRCUIT CONNECTIONS
 12 AMPLIFIER CIRCUIT AND ADJUSTMENTS

SIGNAL AND POWER BLOCKDIAGRAM					JOHANNUS ORGEL
DATE	DESIGN	DRAWN	MODIFIED		
8-12-72	J.VERSTEEGT	C. DUJK			TYPE S
ELECTRONIUM					PAGE N ^o 1



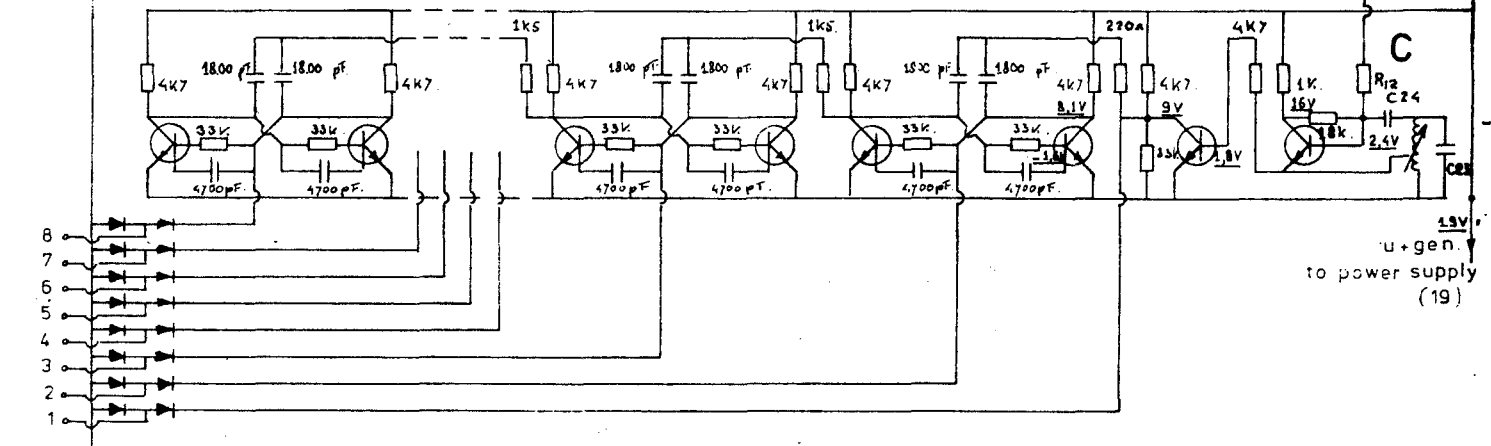
POWER SUPPLY				
DATE	DESIGN	DRAWN	MODIFIED	JOHANNUS ORGEL
19-6-72	J.VERSTEEGT	C.v.Dijk		
16-11-72			H.T.W.	
15-1-73			J.H.	
ELECTRONIUM				TYPE: S
COPYRIGHTS J.VERSTEEGT				PAGE NO. 2
TUINSTRAT 10 VEENENDAAL HOLLAND. TEL 08365.3022				



TO KEYING CIRCUITS

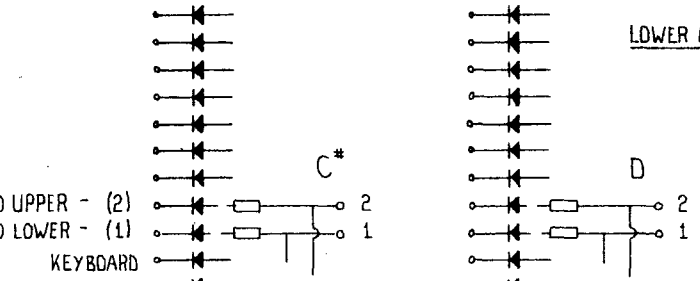
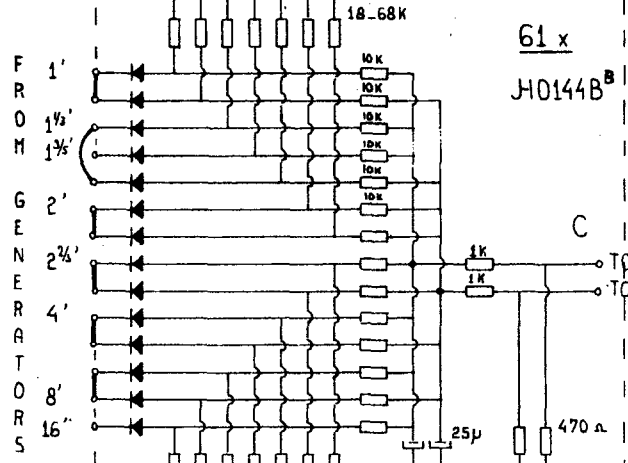
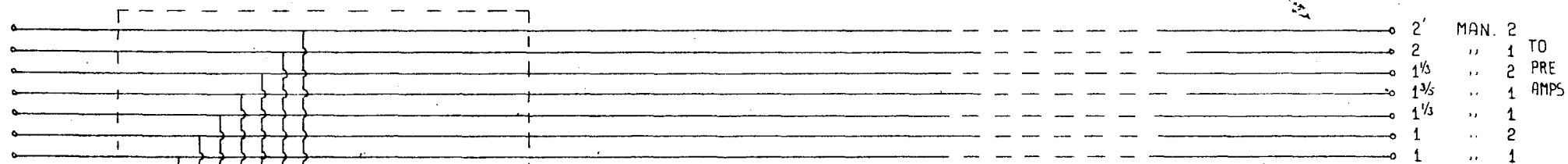
- C 1 = 12.000 pF.
- C 2 = 12.000 pF.
- R1 = 22kΩ
- C 3 = 15.000 pF.
- C 4 = 15.000 pF.
- R2 = 18kΩ
- C 5 = 18.000 pF.
- C 6 = 15.000 pF.
- R3 = 18kΩ
- C 7 = 15.000 pF.
- C 8 = 18.000 pF.
- R4 = 18kΩ
- C 9 = 15.000 pF.
- C 10 = 18.000 pF.
- R5 = 18kΩ
- C 11 = 18.000 pF.
- C 12 = 18.000 pF.
- R6 = 18kΩ
- C 13 = 22.000 pF.
- C 14 = 22.000 pF.
- R7 = 18kΩ
- C 15 = 22.000 pF.
- C 16 = 22.000 pF.
- R8 = 18kΩ
- C 17 = 27.000 pF.
- C 18 = 27.000 pF.
- R9 = 15kΩ
- C 19 = 27.000 pF.
- C 20 = 33.000 pF.
- R10 = 15kΩ
- C 21 = 33.000 pF.
- C 22 = 33.000 pF.
- R11 = 15kΩ
- C 23 = 33.000 pF.
- C 24 = 38.000 pF.
- R12 = 15kΩ

C# - G

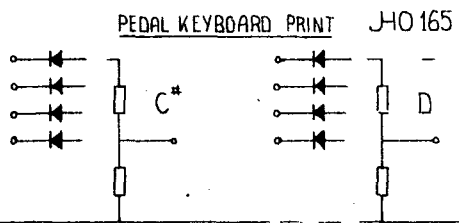
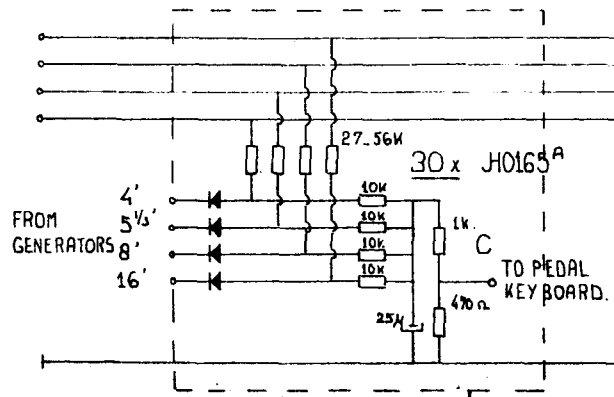
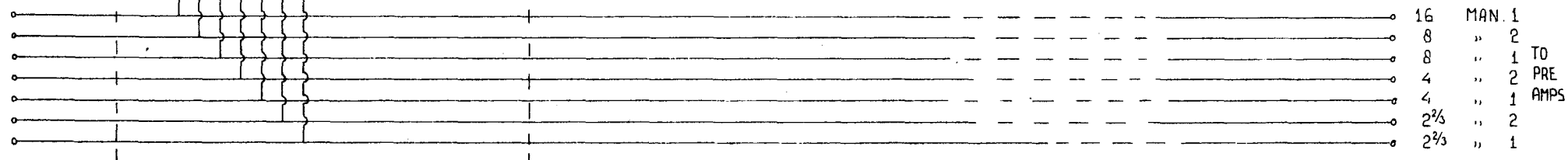


0.5V dinds line power supply(20)

GENERATORS AND DIVIDERS				
DATE	DESIGN.	DRAWN	MODIFIED	
2.11.71	J.VERSTEEGT	C. DUK		JOHANNUS ORGEL
16-11-72			H.T.W.	TYPE
ELECTRONIUM TUINSTRAAT 10, VEENENDAAL - HOLLAND 08585 - 10220				PAGE N° 3

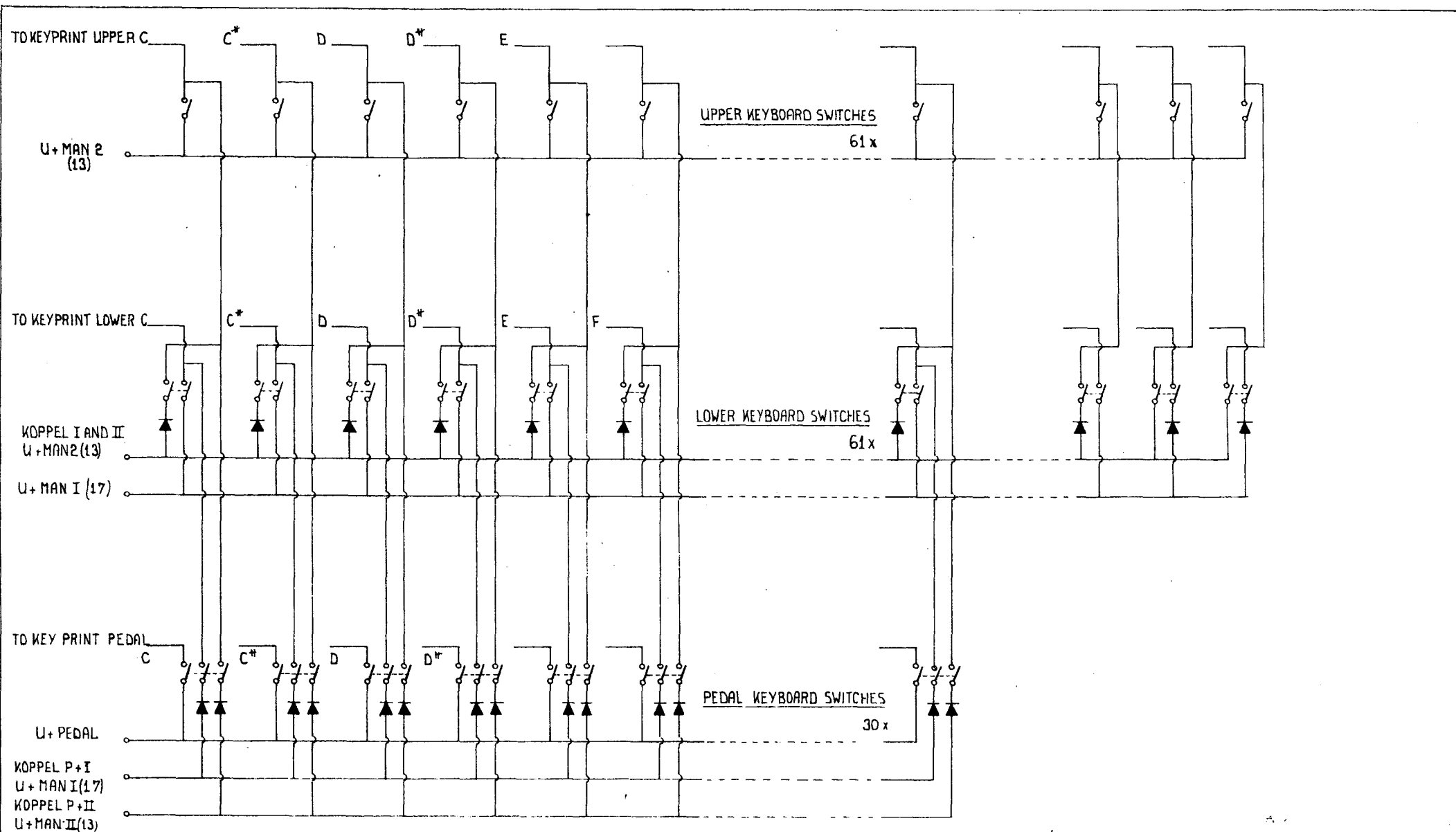


LOWER AND UPPER KEYBOARD PRINT.
JH0144B

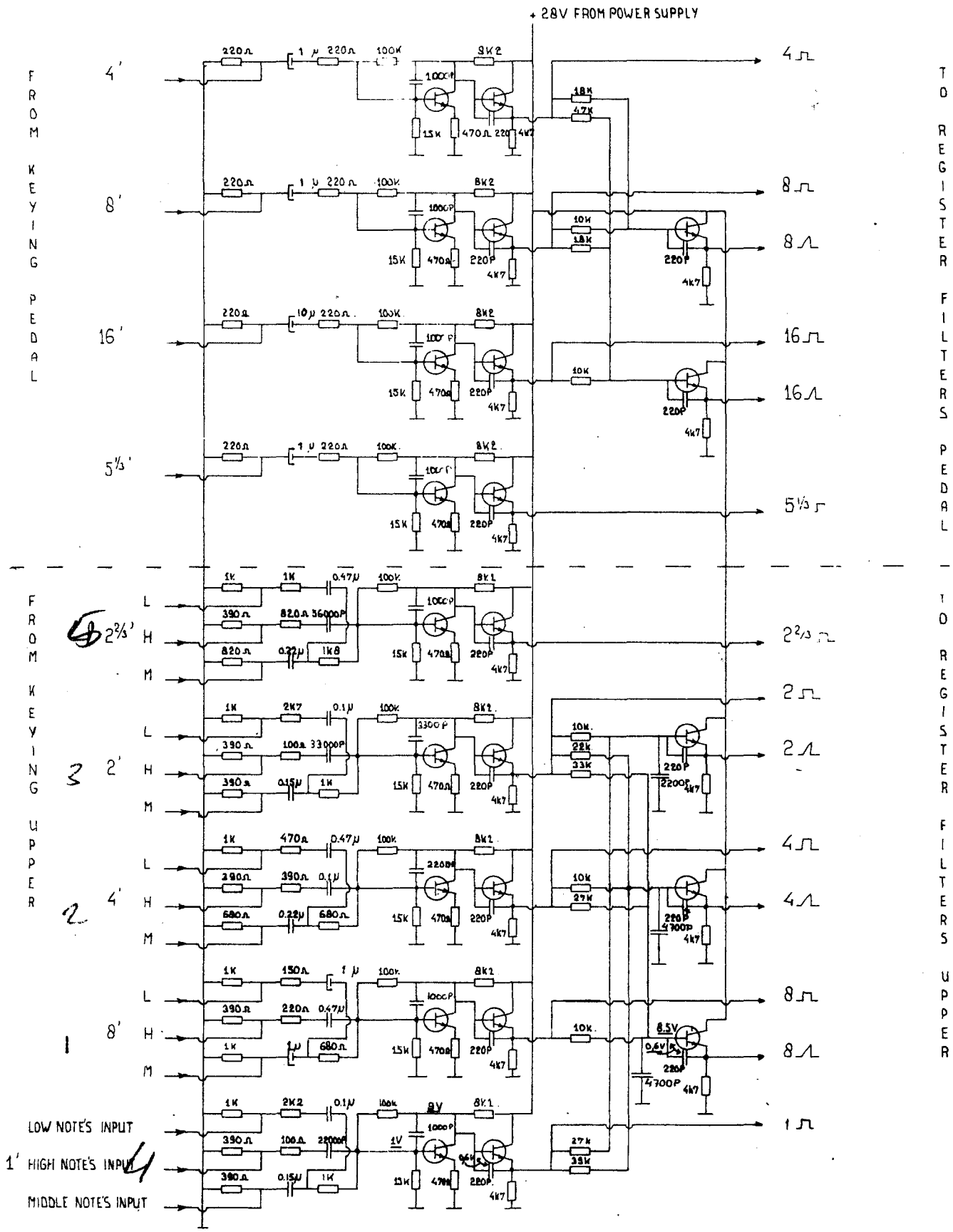


TO PRE AMPS PEDAL

KEYING UPPER, LOWER AND PEDAL				
DATE	DESIGN	DRAWN	MODIFIED	JOHANNUS ORGEL
19. 6. '72	J. VERSTEEGT	C. v. D. J. H.		TYPE: S
ELECTRONIUM				PAGE 1/2
COPYRIGHT: J. VERSTEEGT				4



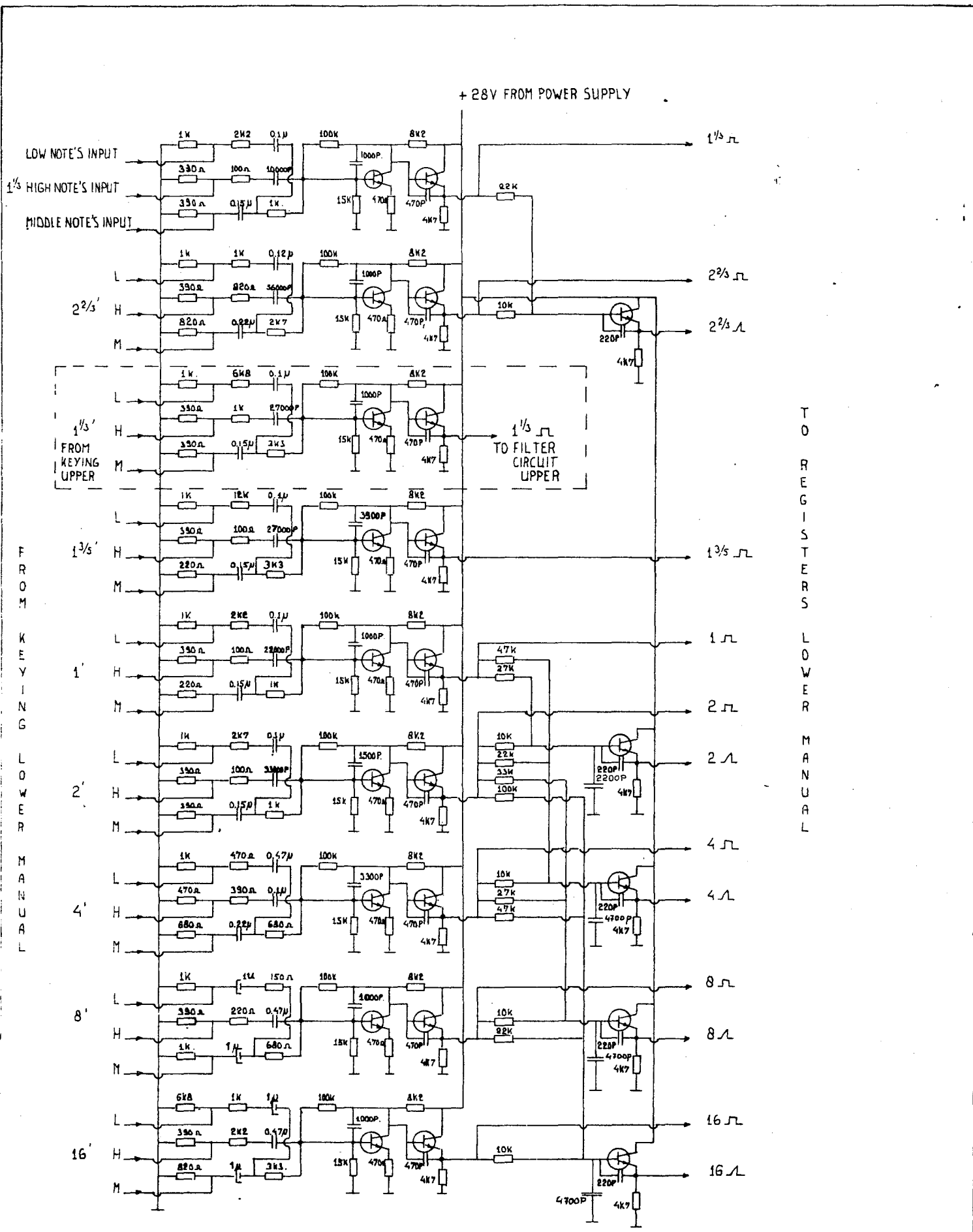
KEYBOARD SWITCHES				
DATE	DESIGN	DRAWN	MODIFIED	JOHANNUS ORGEL
15. 6. 72	J VERSTEEGT	C v. D'W		
				TYPE S
ELECTRONIUM				PAGE NO
COPYRIGHT J. VERSTEEGT				5
TUINSTRAT 10 VEENHOF, HOLLAND (TEL 08305 - 10220)				



J0146

TYPE NO TRANSISTORS BC 239 B
BOARDS VIEWED FROM COPPER SIDE

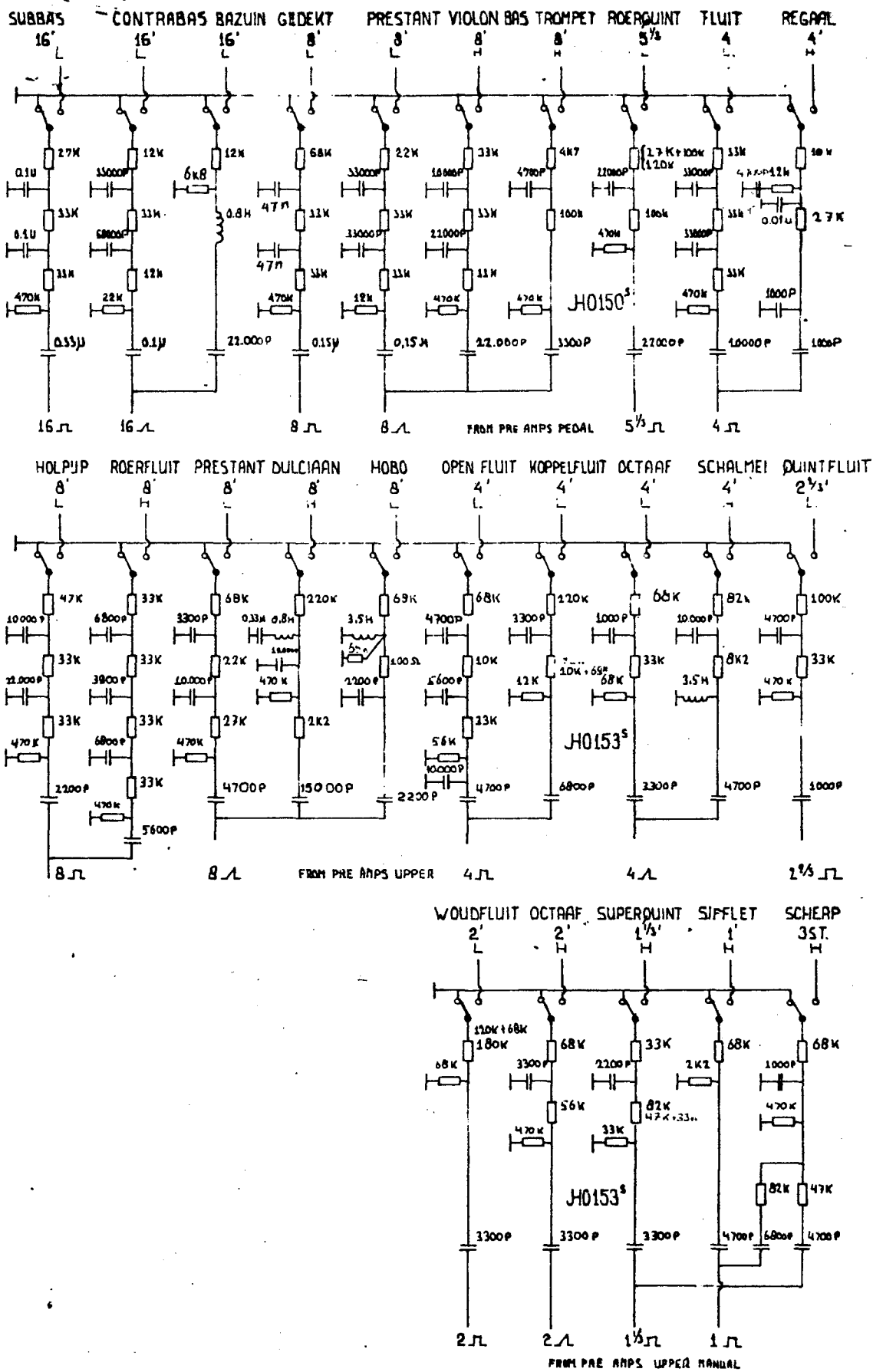
PRE AMPS UPPER & PEDAL				JOHANNUS ORGEL	
DATE	DESIGN	DRAWN			
19-6-'72	J. VERSTEEGT	C. D. J. M.			
6-12-'72		H. T. W.			
				TYPE	S
ELECTRONIUM					
COPYRIGHT J. VERSTEEGT				TUINSTRAT 10 VEENENDAL HOLLAND (TEL. 06585-10220)	



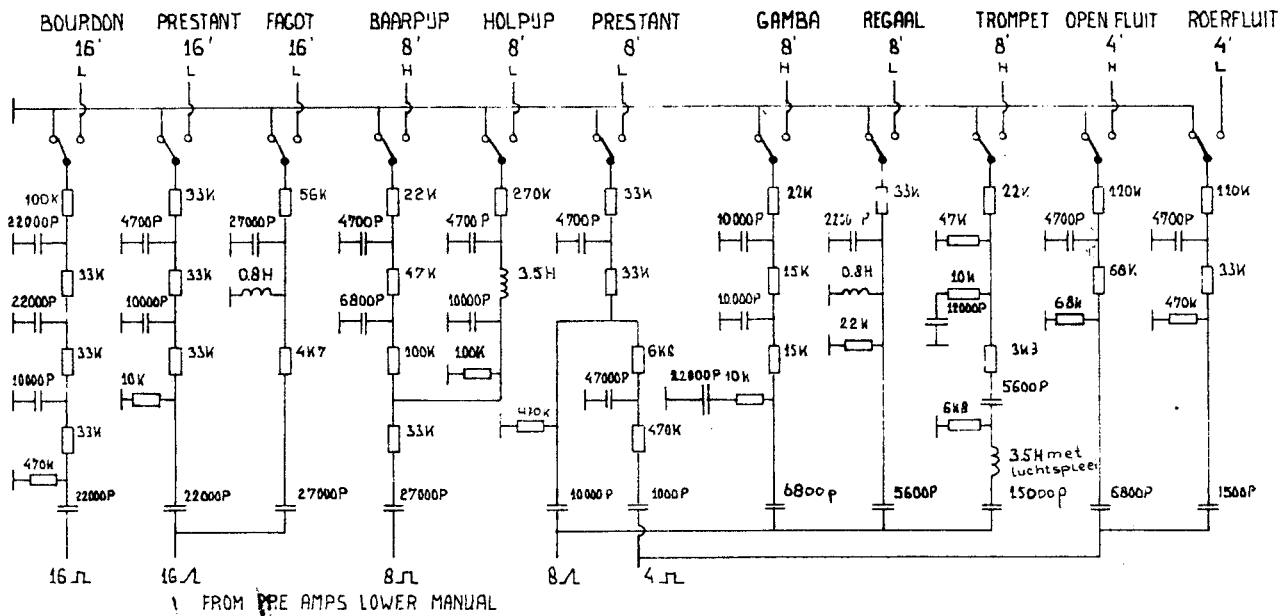
JH0146

PRE AMPS LOWER MANUAL				
DATE	DESIGN	DRAWN	MODIFIED	JOHANNUS ORGEL
13 6 '72	J. VERSTEEG	C. O. S. M.		
6-12-72				TYPE S
ELECTRONIUM				PAGE 11
COPYRIGHT: J. VERSTEEG				7

TYPE NO TRANSISTORS: BC239B.
BOARDS VIEWED FROM COPPER SIDE

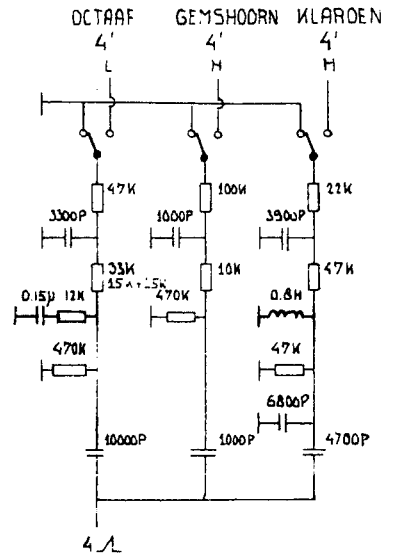


FILTER CIRCUITS PEDAL & UPPER				
DATE	DESIGN	DRAWN	MODIFIED	JOHANNUS ORTEL
19-6-78	J. VERSTEEGT	C. OHR		
18-11-78			M. T. W.	
12-12-72			M. T. W.	TYPE
ELECTRONIUM			TUNINGSTRAAT 16	PAGE NO. 8
COPYRIGHT J. VERSTEEGT			VEENENDAAL HOLLAND (TEL. 06546-14110)	

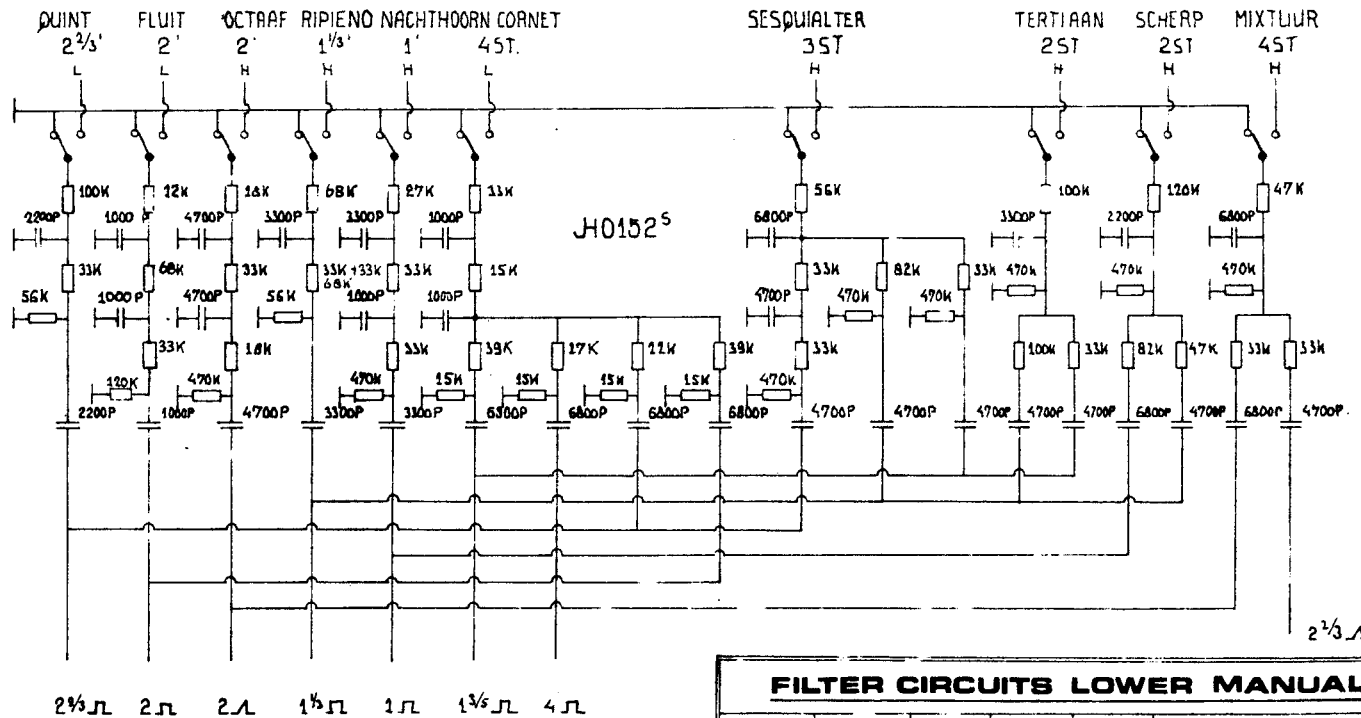


JH 151⁵

FROM PRE AMPS LOWER MANUAL



JH 151⁵



JH 152⁵

FROM PRE AMPS LOWER MANUAL

FILTER CIRCUITS LOWER MANUAL					JOHANNUS ORGEL	
DATE	DESIGN	DRAWN	MODIFIED		TYPE	
19-6-72	J. VERSTREET	C. DIJK		1	S	
6-12-72				2		
15-1-73						
ELECTRONIUM			TUIJNSTRAAT 10		PAGE 9	
COPYRIGHT J. VERSTREET			VEENENDAAL HOLLAND		(TEL. 08385 - 0220)	

PEDAL

REGAAL	4'	10	H	
FLUIT	4'	9		L
ROERQUINTS ^{5/8}		8		L
TROMPET	8'	7	H	
VIOON BAS	8'	6	H	
PRESTANT	8'	5		L
GEDEKT	8'	4		L
BAZUIN	16'	3		L
CONTRABAS ¹⁶		2		L
SUBBAS	16'	1		L

MAN I

KLARDEN	4'	24	H	
GEMSHOORN	4'	23	H	
OCTAAF	4'	22		L
ROERFLUIT	4'	21		L
OPEN FLUIT	4'	20	H	
TROMPET	8'	19	H	
REGAAL	8'	18		L
GAMBA	8'	17	H	
PRESTANT	8'	16		L
HOLPIJP	8'	15		L
BAARPIJP	8'	14	H	
FAGOT	16'	13		L
PRESTANT	16'	12		L
BOURDON	16'	11		L

MAN I

MIXTUUR	4ST	34	H	
SCHERP	3ST	33	H	
TERTIAAN	2ST	32	H	
SESQUIALTER	3ST	31	H	
CORNET	4ST	30		L
NACHTHOORN	1	29	H	
RIPIENO	1 ^{1/3}	28	H	
OCTAAF	2'	27	H	
FLUIT	2'	26		L
DUINT	2 ^{2/3}	25		L

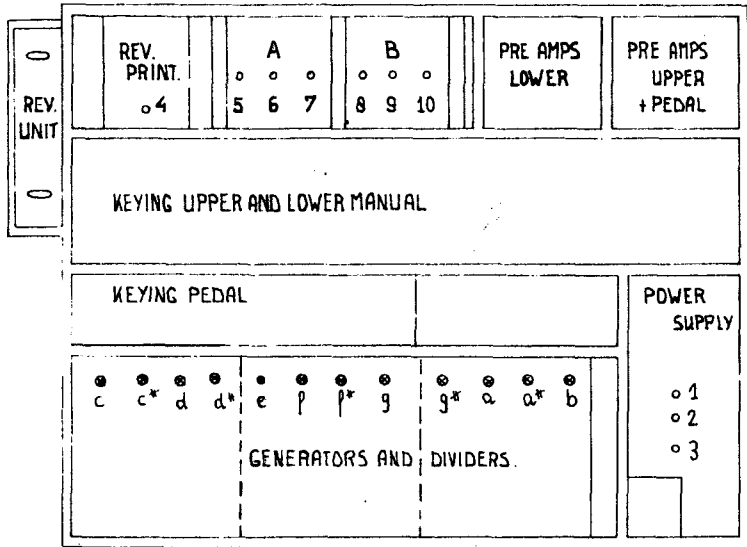
TREMULANT	35
-----------	----

MAN II

SCHERP	3ST	50	H	
SIFFLET	1'	49	H	
SUPERDUINT	1 ^{1/3}	48	H	
OCTAAF	2'	47	H	
WOUDFLUIT	2'	46		L
DUINT FLUIT	2 ^{2/3}	45		L
SCHALMEI	4'	44	H	
OCTAAF	4'	43		L
KOPPELFUIT	4'	42		L
OPEN FLUIT	4	41	H	
HOBO	8'	40		L
DULCIAAN	8'	39	H	
PRESTANT	8'	38		L
ROER FLUIT	8'	37	H	
HOLPIJP	8'	36		L

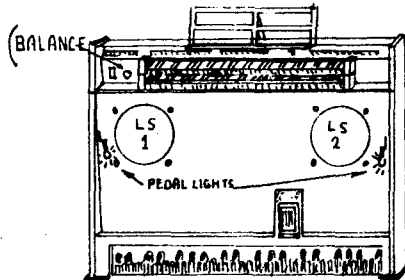
STOP CIRCUIT CONNECTIONS

DATE	DESIGN	DRAWN	MODIFIED	JOHANNUS ORGEL	
13-6-'72	3 VERSTLEGT	C-DJJK			
					8
					TYPE
					ELECTRONIUM
					TUINSTRAAT 30 VEENENDAAL, HOLLAND TEL 04385.00201
					PAGE # 11



- 1 DEPTH HS.
- 2 DEPTH TREMULANT
- 3 SPEED TREMULANT
- 4 DEPTH REVERBERATION.
- 5 TONE CONTROL BASS
- 6 TONE CONTROL TREBLE
- 7 VOLUME
- 8 TONE CONTROL BASS
- 9 TONE CONTROL TREBLE
- 10 VOLUME

LSP 1 TYPE 1200X IS CONNECTED TO AMPLIFIER A
LSP 2 TYPE 1100X IS CONNECTED TO AMPLIFIER B

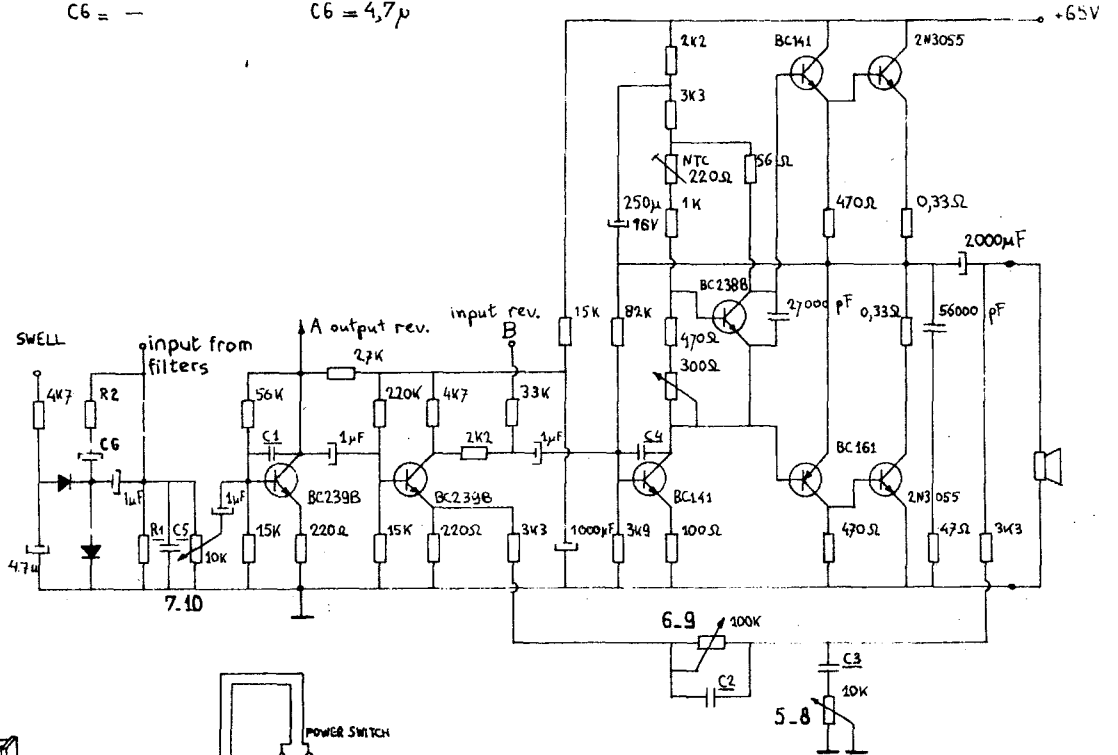


BASS AMPLIFIER A

- C1 = 4700PF
- C2 = 0.1μ
- C3 = 0.33μ
- C4 = 2200PF
- C5 = 1000PF
- R1 = 10K.
- R2 = -
- C6 = -

TREBLE AMPLIFIER B

- C1 = 470PF
- C2 = 68000PF.
- C3 = 0.007μ
- C4 = 470 PF
- C5 = 1000PF
- R1 = 4K7
- R2 = 220Ω
- C6 = 4,7μ



AMPLIFIER CIRCUIT & ADJUSTMENTS				
DATE	DESIGN	DRAWN	MODIFIED	JOHANNUS ORGAN
19. 6. 72	J. VERSTEEG	C. DIJK		TYPE 8
ELECTRONIUM				PAGE N° 12
COPYRIGHT. J. VERSTEEG. TUINSTRAT 10 VEEMERDAL HOLLAND (TEL. 04385. 10220)				